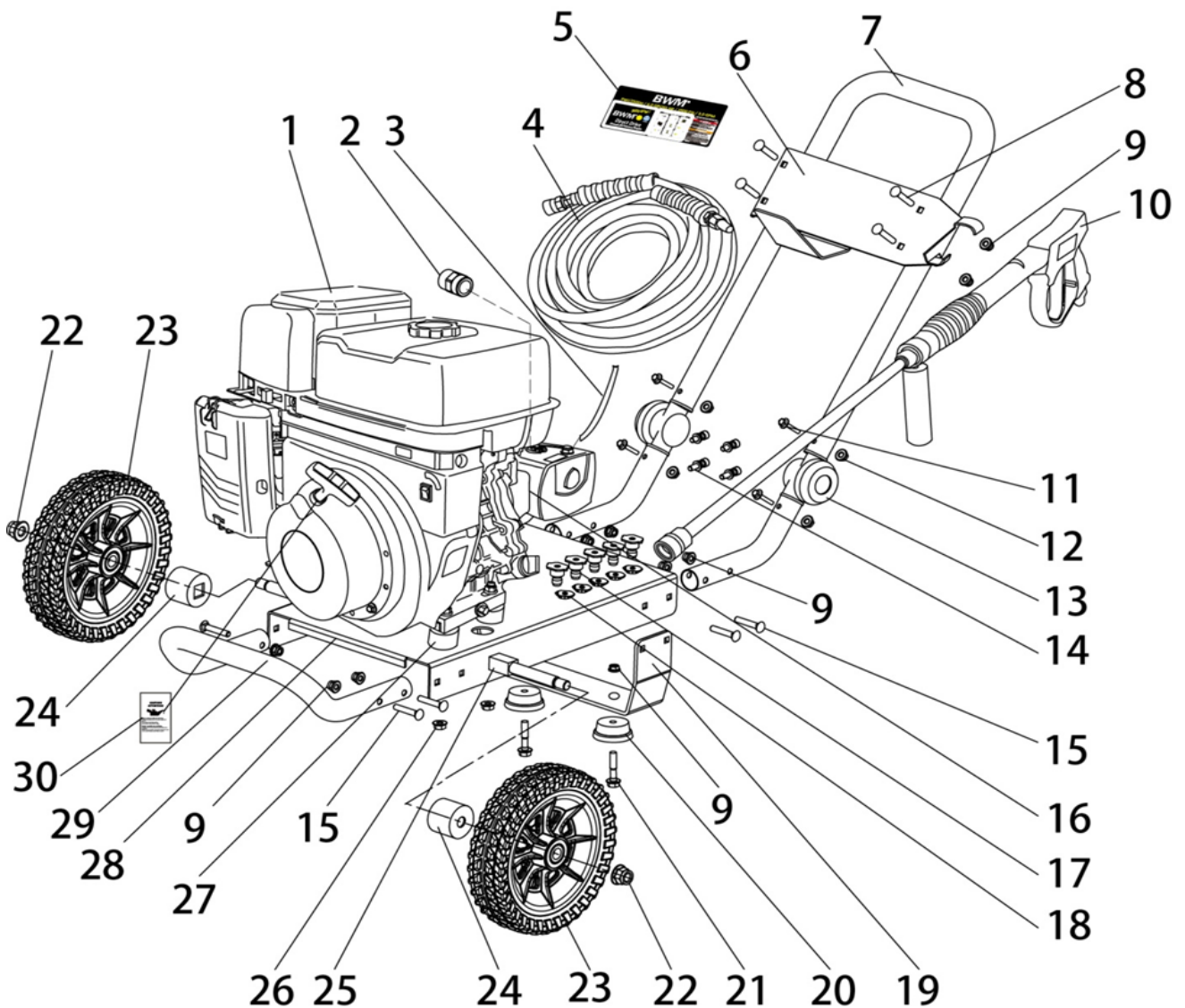


BWM PWC4000 Series Spare Parts Diagram



Ref#	Parts No.	Description	QTY
1		BWM GT1300 / Honda GX390	1
2	HN53050AA	Adapter	1
3	BF70054AA360	Thermal controller drainage pipe	1
4	HN23015AA	High pressure hose	1
5	HW19440BA	Label	1
6	HB52003AA	Panel assembly	1
7	HB52001AB	Handle	1
8	HB21010AA	Handle panel bolt	4
9	N802A08B	Handle panel nut	14
10	HN13010AA	High pressure gun	1
11	B800B06X045B	Bolt	4
12	N802A06B	Nut	4
13	HB52005AA	Handle adjuster	2
14	B801B10X030B	Bolt	4
15	HB21010BA	Bolt	8
16	HP12040BA	High pressure pump	1
17	HN33010AA038	Nozzle 0°	1
	HN33011AA038	Nozzle 15°	1
	HN33012AA038	Nozzle 25°	1
	HN33013AA038	Nozzle 40°	1
	HN33014AA	Soap Nozzle	1
18	HN43010AA	The nozzle pad	5
19	HB52004AA	Support bracket	1
20	GB41064AA	Support pad	2
21	B800B08X025B	Bolt	2
22	N802A14B	Nut	2
23	HB31020AA	Tire	2
24	HB52010AA	Bush	2
25	HB52067AA	Wheel axle	1
26	N802A10B	Nut	8
27	GB41070AA	Engine anti vibration pad	4
28	HB51050AA	Base plate	1
29	HB52002AA	Front bull bar	1
30	GW59061AC	Engine oil notice card	1

Customer Service:

4 Kylie Place, Cheltenham, Victoria 3192, Australia

Telephone: 1300 454 585

Website: www.BWMachinery.com.au

Email: admin@bwmachinery.com.au

Spare parts are available from our dealers and our official website