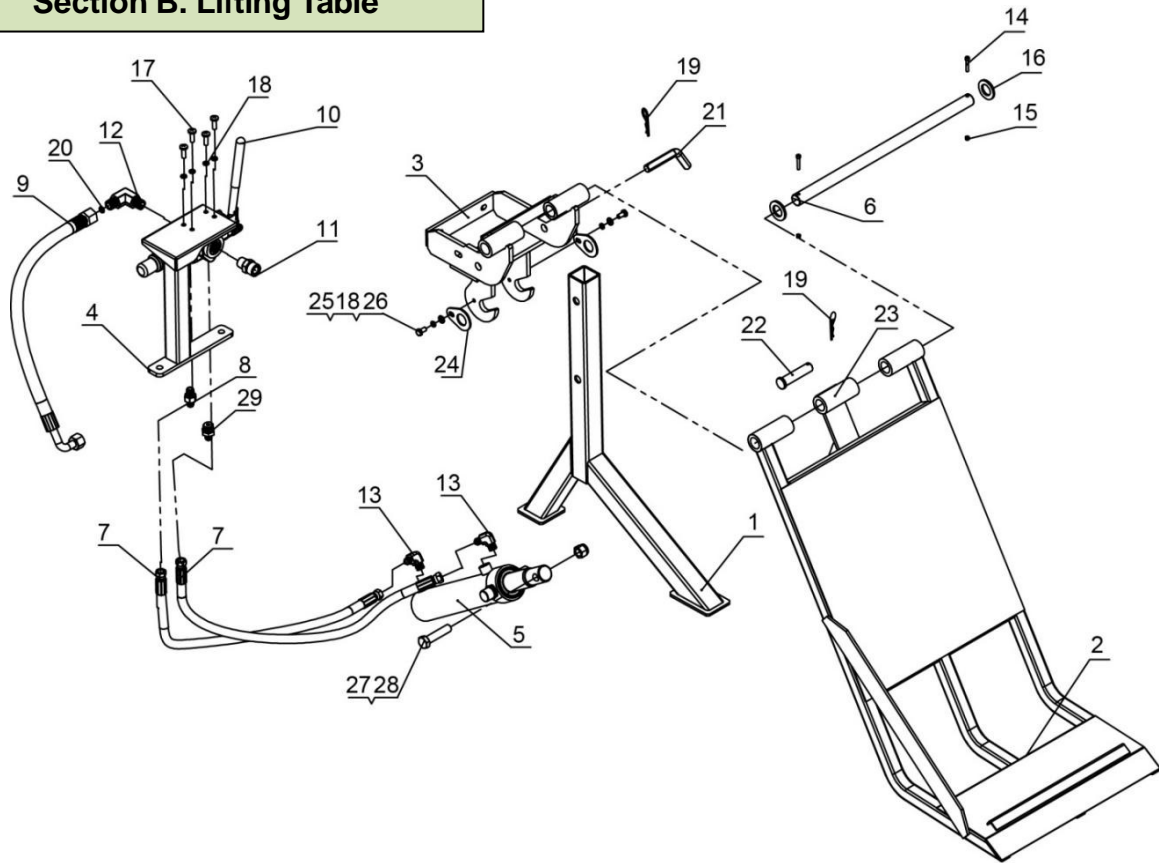


| Ref # | Part No. | Description | Qty |
|-------|--------------|-------------------------------------|-----|
| 1 | BWMLSD500001 | Screw M8x10 | 4 |
| 2 | BWMLSD500002 | Plate | 1 |
| 3 | BWMLSD500003 | One-Way Single Handle Control Valve | 1 |
| 4 | BWMLSD500004 | Flat Washer Ø8 | 8 |
| 5 | BWMLSD500005 | Hex Lock Nut M8 | 8 |
| 6 | BWMLSD500006 | Spring | 1 |
| 7 | BWMLSD500007 | Cotter Pin Ø4x36 | 2 |
| 8 | BWMLSD500008 | Handle Ball | 1 |
| 9 | BWMLSD500009 | Hex Bolt M10x25 | 4 |
| 10 | BWMLSD500010 | Elastic Cylinder Pin | 1 |
| 11 | BWMLSD500011 | Hex Bolt M6x60 | 1 |
| 12 | BWMLSD500012 | Thrust Ball Bearing | 1 |
| 13 | BWMLSD500013 | Nylon Lock Nut M6 | 1 |
| 14 | BWMLSD500014 | Angle Connector | 1 |
| 15 | BWMLSD500015 | Valve A Joiner | 1 |
| 16 | BWMLSD500016 | Combination Washer Ø20 | 4 |
| 17 | BWMLSD500017 | Active Connector | 1 |
| 18 | BWMLSD500018 | Jockey Wheel Handle | 1 |
| 19 | BWMLSD500019 | O Ring Ø15x2.5 | 1 |
| 20 | BWMLSD500020 | 8" Universal Wheel | 1 |
| 21 | BWMLSD500021 | Hydraulic Hose (Valve - Cylinder) | 1 |
| 22 | BWMLSD500022 | Bolt Connector | 2 |
| 23 | BWMLSD500023 | Cylinder Pin | 1 |
| 24 | BWMLSD500024 | Cylinder | 1 |
| 25 | BWMLSD500025 | Rubber Washer 2 | 6 |
| 26 | BWMLSD500026 | R Pin | 2 |
| 27 | BWMLSD500027 | Beam | 1 |
| 28 | BWMLSD500028 | Right Log Cradle | 1 |
| 29 | BWMLSD500029 | Hex Lock Nut M14 | 1 |
| 30 | BWMLSD500030 | Hex Bolt M14x80 | 1 |
| 31 | BWMLSD500031 | Wedge | 1 |
| 32 | BWMLSD500032 | Screw M12x55 | 10 |
| 33 | BWMLSD500033 | Flat Washer Ø12 | 19 |
| 34 | BWMLSD500034 | Lock Washer Ø12 | 10 |
| 35 | BWMLSD500035 | Hex Thick Nut M12 | 10 |
| 36 | BWMLSD500036 | Wedge Spacer | 2 |
| 37 | BWMLSD500037 | Lifting Table | 1 |

| Ref # | Part No. | Description | Qty |
|-------|--------------|------------------------------------|-----|
| 38 | BWMLSD500038 | Connector | 2 |
| 39 | BWMLSD500039 | Return Oil Filter | 1 |
| 40 | BWMLSD500040 | Hex Bolt M10x40 | 6 |
| 41 | BWMLSD500041 | Hex Bolt M10x30 | 18 |
| 42 | BWMLSD500042 | Flat Washer Ø10 | 32 |
| 43 | BWMLSD500043 | Lock Nut M10 | 33 |
| 44 | BWMLSD500044 | Oil Pipe | 1 |
| 45 | BWMLSD500045 | Hex Bolt M10x75 | 4 |
| 46 | BWMLSD500046 | Lock Washer Ø10 | 6 |
| 47 | BWMLSD500047 | O Ring Ø14x2.5 | 5 |
| 48 | BWMLSD500048 | Hydraulic Hose (Valve – Gear Pump) | 1 |
| 49 | BWMLSD500049 | Clamp | 2 |
| 50 | BWMLSD500050 | Oil Bolt | 1 |
| 51 | BWMLSD500051 | Oil Tank | 1 |
| 52 | BWMLSD500052 | Circlip for shaft Ø62 | 1 |
| 53 | BWMLSD500053 | Right Fender | 1 |
| 54 | BWMLSD500054 | Hex Bolt M12x40 | 6 |
| 55 | BWMLSD500055 | Hex Lock Nut M12 | 9 |
| 56 | BWMLSD500056 | Left Fender | 1 |
| 57 | BWMLSD500057 | Cotter Pin Ø3x30 | 1 |
| 58 | BWMLSD500058 | Flat Washer Ø20 | 2 |
| 59 | BWMLSD500059 | Safety Pin | 1 |
| 60 | BWMLSD500060 | Thick Flat Washer Ø12 | 4 |
| 61 | BWMLSD500061 | Hook Chain | 2 |
| 62 | BWMLSD500062 | 50mm Coupler | 1 |
| 63 | BWMLSD500063 | Hex Bolt M12x130 | 2 |
| 64 | BWMLSD500064 | Hex Bolt M12x90 | 1 |
| 65 | BWMLSD500065 | Tow Bar | 1 |
| 66 | BWMLSD500066 | Oil Plug | 1 |
| 67 | BWMLSD500067 | Oil Filter | 1 |
| 68 | BWMLSD500068 | Engine Mounting Plate | 1 |
| 69 | BWMLSD500069 | Rubber Washer | 1 |
| 70 | BWMLSD500070 | Filter Mounting Plate | 1 |
| 71 | BWMLSD500071 | Hex Bolt M6x20 | 6 |
| 72 | BWMLSD500072 | Lock Washer | 6 |
| 73 | BWMLSD500073 | Flat Washer Ø6 | 6 |
| 74 | BWMLSD500074 | Hex Thin Slotted Nut | 2 |

| Ref # | Part No. | Description | Qty |
|--------------|-----------------|--------------------------------|------------|
| 75 | BWMLSD500075 | Axle Cap | 2 |
| 76 | BWMLSD500076 | Jockey Wheel Handle Bushing | 1 |
| 77 | BWMLSD500077 | Wheel | 2 |
| 78 | BWMLSD500078 | Outer Bushing | 1 |
| 79 | BWMLSD500079 | Moving Pipe | 1 |
| 80 | BWMLSD500080 | Screw Rod | 1 |
| 81 | BWMLSD500081 | Hydraulic Hose (Valve – Valve) | 1 |
| 82 | BWMLSD500082 | Screw M6x10 | 1 |
| 83 | BWMLSD500083 | Engine | 1 |
| 84 | BWMLSD500084 | Polyurethane Block | 4 |
| 85 | BWMLSD500085 | Big Flat Washer Ø10 | 4 |
| 86 | BWMLSD500086 | Hex Bolt M8x25 | 8 |
| 87 | BWMLSD500087 | Lock Washer Ø8 | 8 |
| 88 | BWMLSD500088 | Wire Snap rings for shaft | 1 |
| 89 | BWMLSD500089 | Hex Bolt M8x30 | 4 |
| 90 | BWMLSD500090 | Pump Outlet Connector | 1 |
| 91 | BWMLSD500091 | Gear Pump | 1 |
| 92 | BWMLSD500092 | Flat Key | 1 |
| 93 | BWMLSD500093 | Gear Pump Coupler | 1 |
| 94 | BWMLSD500094 | Engine Coupler | 1 |
| 95 | BWMLSD500095 | Engine Bushing | 1 |
| 96 | BWMLSD500096 | Gear Pump Stand | 1 |
| 97 | BWMLSD500097 | Flat Key | 1 |
| 100 | BWMLSD500100 | Bracket | 1 |
| 101 | BWMLSD500101 | Battery | 1 |
| 102 | BWMLSD500102 | Battery Base | 1 |

Section B. Lifting Table



| Ref # | Part No. | Description | Qty |
|-------|---------------|-------------------------------------|-----|
| 1 | BWMLSFLT00001 | Support Leg | 1 |
| 2 | BWMLSFLT00002 | Lifting Table | 1 |
| 3 | BWMLSFLT00003 | Connecting Frame | 1 |
| 4 | BWMLSFLT00004 | Valve Mounting Plate | 1 |
| 5 | BWMLSFLT00005 | Lift Cylinder | 1 |
| 6 | BWMLSFLT00006 | Hinge Pin | 1 |
| 7 | BWMLSFLT00007 | Hydraulic Hose | 2 |
| 8 | BWMLSFLT00008 | Connector | 1 |
| 9 | BWMLSFLT00009 | Hydraulic Hose (Valve – Oil Tank) | 1 |
| 10 | BWMLSFLT00010 | One-Way Single Handle Control Valve | 1 |
| 11 | BWMLSFLT00011 | Connector | 1 |
| 12 | BWMLSFLT00012 | Angle Connector | 1 |
| 13 | BWMLSFLT00013 | Multi-way Valve Outlet Connection | 2 |
| 14 | BWMLSFLT00014 | Screw M5x30 | 2 |
| 15 | BWMLSFLT00015 | Nylon Lock Nut M5 | 2 |
| 16 | BWMLSFLT00016 | Washer | 2 |

| Ref # | Drawing No. | Description | Qty |
|--------------|--------------------|------------------------|------------|
| 17 | BWMLSFLT00017 | Screw M8x25 | 4 |
| 18 | BWMLSFLT00018 | Lock Washer Ø8 | 6 |
| 19 | BWMLSFLT00019 | R Pin | 2 |
| 20 | BWMLSFLT00020 | O Ring Ø14x2.5 | 1 |
| 21 | BWMLSFLT00021 | Bolt | 1 |
| 22 | BWMLSFLT00022 | Safety Pin | 1 |
| 23 | BWMLSFLT00023 | Lift Arm | 1 |
| 24 | BWMLSFLT00024 | Safety Piece | 2 |
| 25 | BWMLSFLT00025 | Flat Washer Ø8 | 2 |
| 26 | BWMLSFLT00026 | Hex Bolt M8x16 | 2 |
| 27 | BWMLSFLT00027 | Nylon Lock Nut M16 | 1 |
| 28 | BWMLSFLT00028 | Hex Bolt M16x70 | 1 |
| 29 | BWMLSFLT00029 | Connector Z1/2-M14X1.5 | 1 |

Customer Service:

303 Warrigal Road, Cheltenham, Victoria 3192, Australia
 Telephone: 13000 454 585

Website: www.BWMachinery.com.au
 Email: admin@bwmachinery.com.au

Spare parts are available from our dealers and our official website