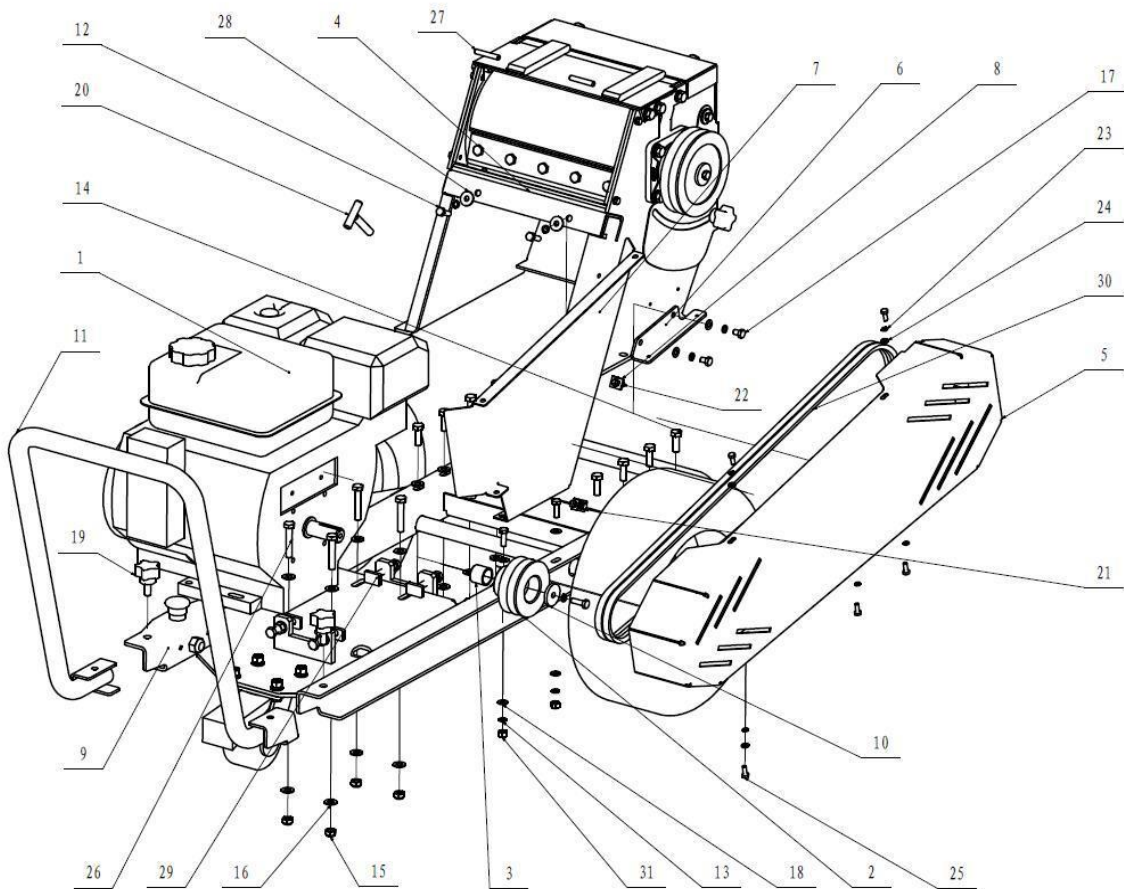


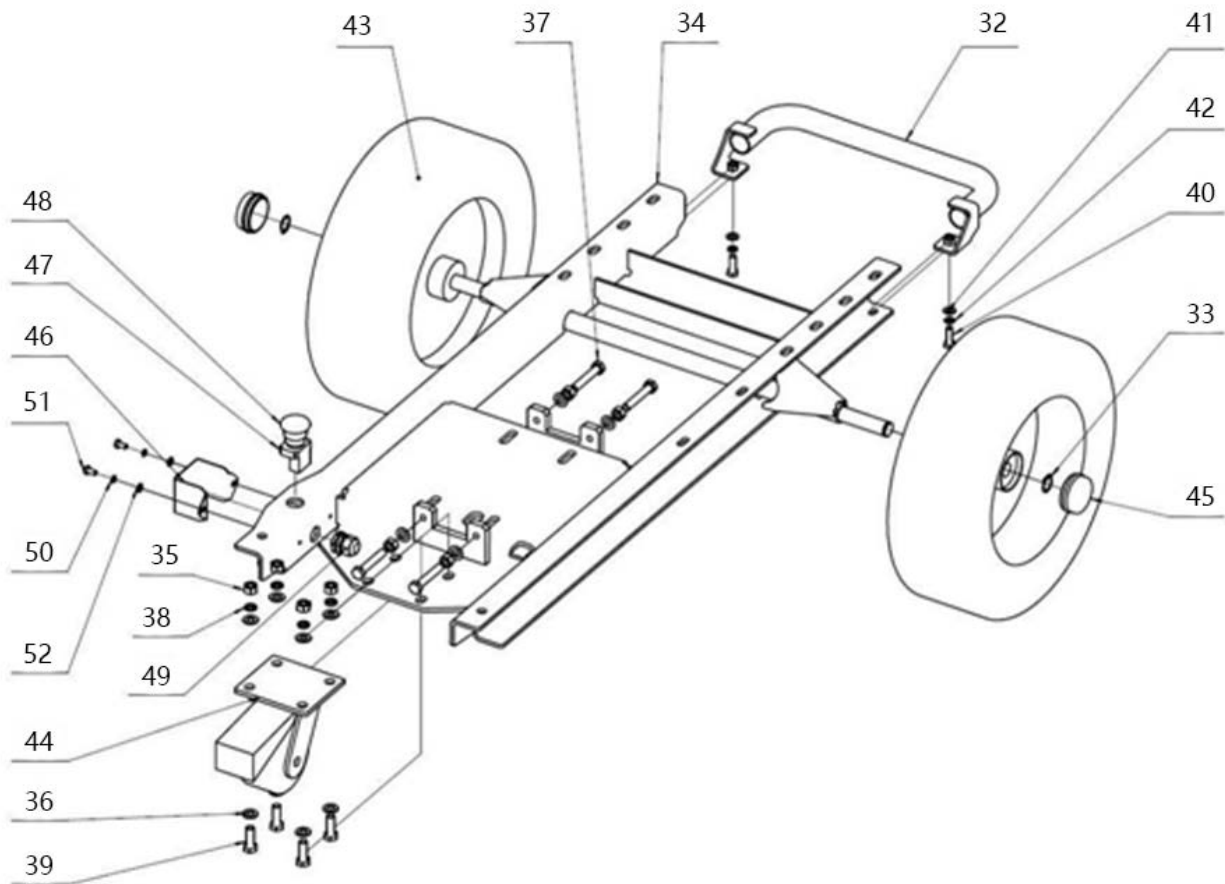
BWM PRO100 Series

# Spare Parts Diagram

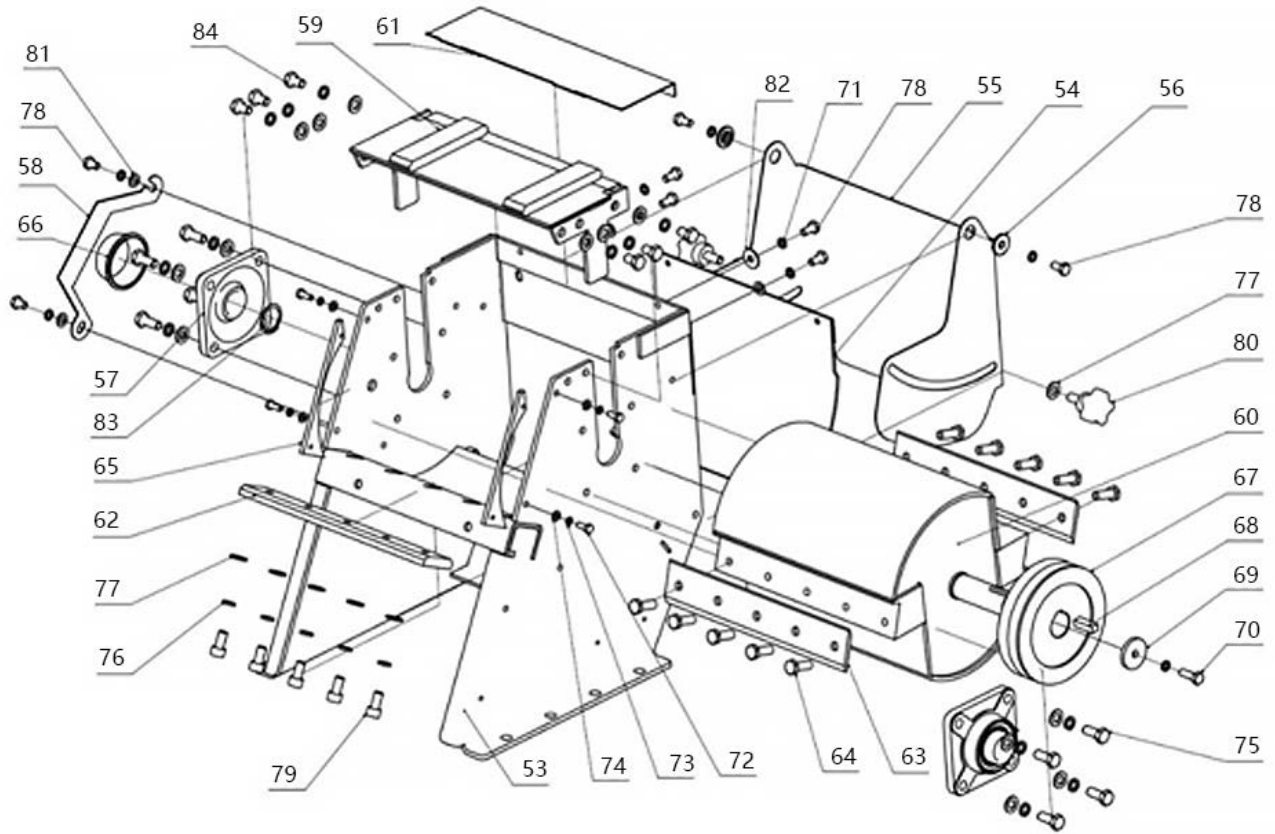


<b>Ref No.</b>	<b>Part No.</b>	<b>Description</b>	<b>Qty</b>
1	BWMPRO100001	Engine	1
2	BWMPRO100002	Engine pulley	1
3	BWMPRO100003	Engine shaft bush	1
4	BWMPRO100004	Anvil	1
5	BWMPRO100005	Belt cover	1
6	BWMPRO100006	Belt cover holder	1
7	BWMPRO100007	Belt cover support	1
8	BWMPRO100008	Belt cover back holder	2
9	BWMPRO100009	Frame	1
10	BWMPRO100010	Pulley washer	1
11	BWMPRO100011	Handle	1
12	BWMPRO100012	Bolt M8x25	5
13	BWMPRO100013	Spring washer M8	7
14	BWMPRO100014	Bolt M10x30	8
15	BWMPRO100015	Nylon locknut M10	12
16	BWMPRO100016	Washer M10	24
17	BWMPRO100017	Bolt M8x16	2
18	BWMPRO100018	Washer M8	6
19	BWMPRO100019	Knob M10	2
20	BWMPRO100020	Rotor latch	1
21	BWMPRO100021	Bolt M6x12	1
22	BWMPRO100022	Nylon locknut M6	2

23	BWMPRO100023	Spring washer M6	6
24	BWMPRO100024	Washer M6	10
25	BWMPRO100025	Bolt M6x16	7
26	BWMPRO100026	Bolt M10x55	4
27	BWMPRO100027	Hinge pin	2
28	BWMPRO100028	Large washer M8	2
29	BWMPRO100029	Cushion block	4
30	BWMPRO100030	V-belt	2
31	BWMPRO100031	Nut	2

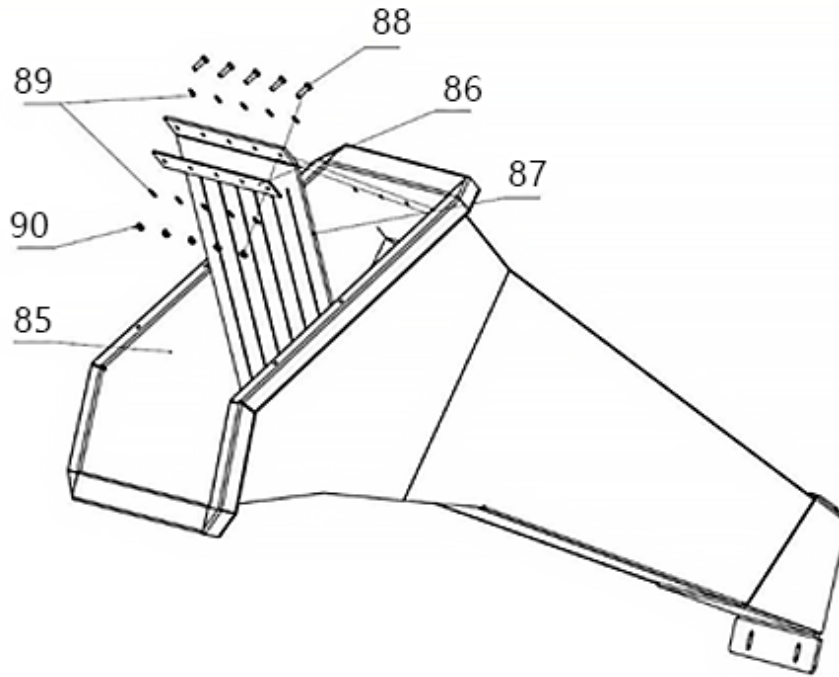


<b>Ref No.</b>	<b>Part No.</b>	<b>Description</b>	<b>Qty</b>
32	BWMPRO100032	Bumper	1
33	BWMPRO100033	Circlip 20	1
34	BWMPRO100034	Chassis	1
35	BWMPRO100035	Nut M10	1
36	BWMPRO100036	Washer M10	1
37	BWMPRO100037	Bolt M10x60	1
38	BWMPRO100038	Spring washer M10	1
39	BWMPRO100039	Bolt M10x30	2
40	BWMPRO100040	BoltM8x25	1
41	BWMPRO100041	Washer M8	1
42	BWMPRO100042	Spring Washer M8	1
43	BWMPRO100043	Wheel	2
44	BWMPRO100044	Jockey wheel	1
45	BWMPRO100045	Wheel cover	2
46	BWMPRO100046	Emergency switch cover	1
47	BWMPRO100047	Emergency switch	1
48	BWMPRO100048	Knob	1
49	BWMPRO100049	Connector	1
50	BWMPRO100050	Spring washer M6	2
51	BWMPRO100051	Bolt	2
52	BWMPRO100052	Washer M6	2

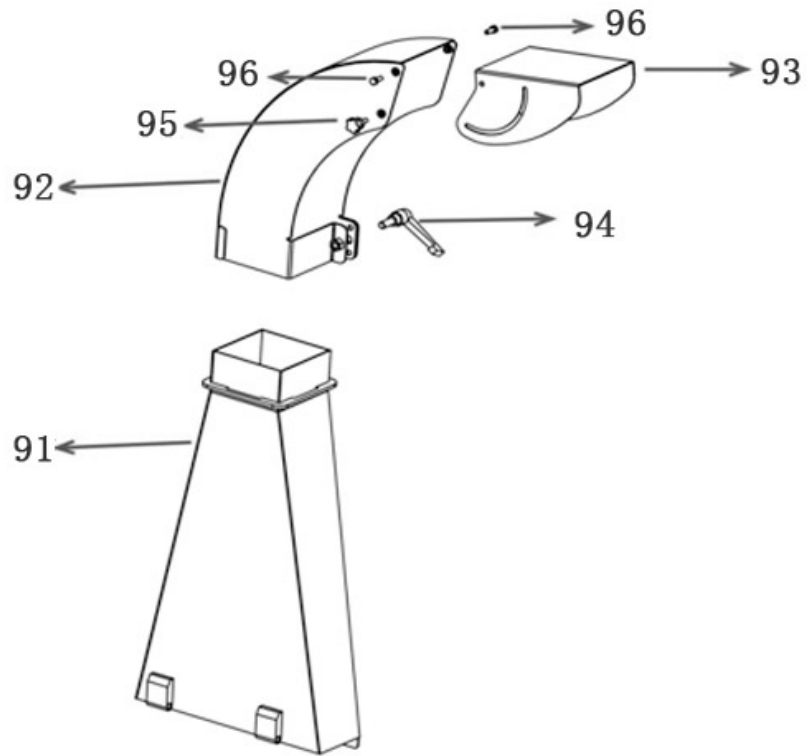


Ref No.	Part No.	Description	Qty
53	BWMPRO100053	Rotor housing	1
54	BWMPRO100054	Low output cover	1
55	BWMPRO100055	Low output deflector	1
56	BWMPRO100056	Washer deflector	2
57	BWMPRO100057	Bearing	2
58	BWMPRO100058	Bearing cover holder	1
59	BWMPRO100059	Rotor housing cover	1
60	BWMPRO100060	Rotor	1
61	BWMPRO100061	High output cover	1

62	BWMPRO100062	Anvil	1
63	BWMPRO100063	Blade	2
64	BWMPRO100064	Blade bolts	10
65	BWMPRO100065	Rotor protector	2
66	BWMPRO100066	Bearing cover	1
67	BWMPRO100067	Rotor pulley	1
68	BWMPRO100068	Key M10x8x30	1
69	BWMPRO100069	Washer pulley	1
70	BWMPRO100070	Bolt M8x25	1
71	BWMPRO100071	Washer M8	9
72	BWMPRO100072	Bolt M6x16	4
73	BWMPRO100073	Spring washer M6	4
74	BWMPRO100074	Washer M6	4
75	BWMPRO100075	Bolt M10x25	8
76	BWMPRO100076	Spring washer M10	19
77	BWMPRO100077	Washer M10	21
78	BWMPRO100078	Bolt M8x16	8
79	BWMPRO100079	Inner hex bolt M10x20	5
80	BWMPRO100080	Knob M10	2
81	BWMPRO100081	Washer M8	4
82	BWMPRO100082	Large washer M8	2
83	BWMPRO100083	Circlip M30	1
84	BWMPRO100084	Bolt M10x16	6



Ref No.	Part No.	Description	Qty
85	BWMPRO100085	Hopper	1
86	BWMPRO100086	Washer rubber flap	1
87	BWMPRO100087	Rubber flap	1
88	BWMPRO100088	Bolt M6x20	5
89	BWMPRO100089	Washer M6	10
90	BWMPRO100090	Nut M6	5



Ref No.	Part No.	Description	Qty
91	BWMPRO100097	Output bottom	1
92	BWMPRO100098	Output top	1
93	BWMPRO100099	Deflector	1
94	BWMPRO100100	Knob M10*40	1
95	BWMPRO100101	Knob M6*20	1
96	BWMPRO100102	Bolt set M6x16	2

(Models after 2020)



**Customer Service:**

303 Warrigal Road, Cheltenham, Victoria 3192, Australia

Telephone: 1300 454 585

Website: [www.BWMachinery.com.au](http://www.BWMachinery.com.au)

Email: [admin@bwmachinery.com.au](mailto:admin@bwmachinery.com.au)

Spare parts are available from our dealers and our official website.

