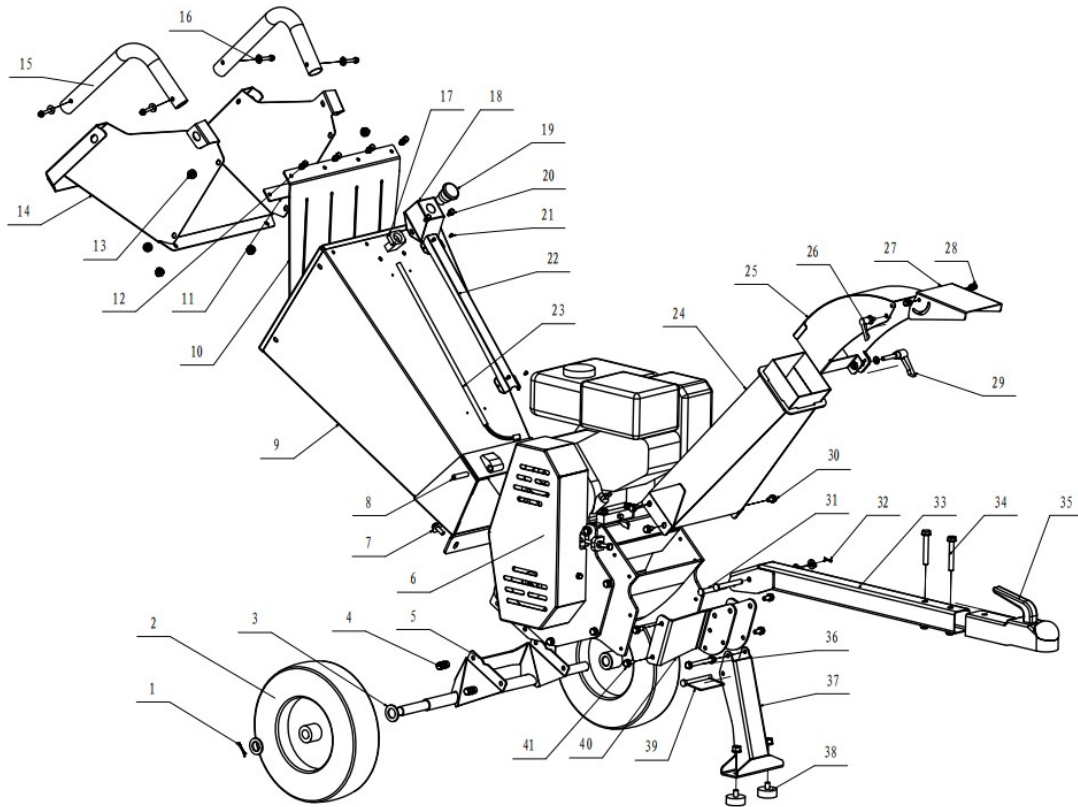


# BWM PRO80 Series Spare Parts Diagram

## Section A.



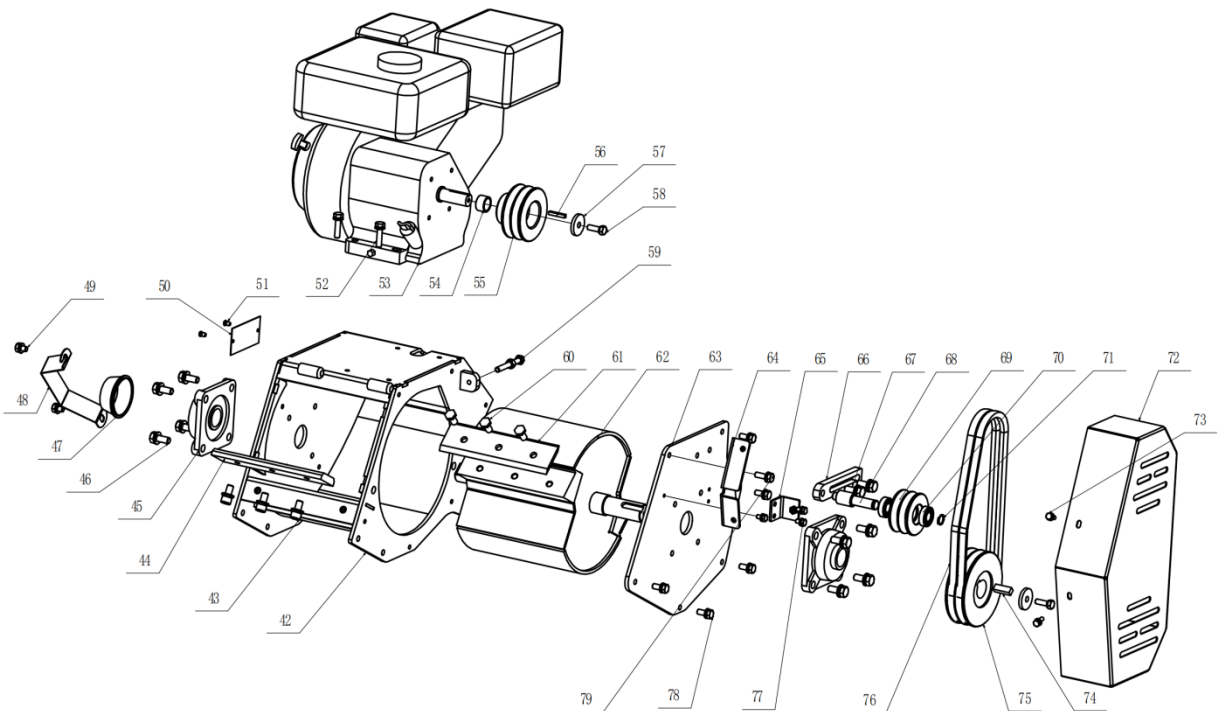
Ref No.	Part No.	Description	Quantity
1	BWMPRO800001	Split Pin 2.5×30	2
2	BWMPRO800002	Wheel 3.5-6	2
3	BWMPRO800003	Washer Φ20	4

4	BWMPRO800004	Bolt M8×25	4
	BWMPRO800004-1	Nut M8	4
	BWMPRO800004-2	Spring Washer Φ8	4
	BWMPRO800004-3	Washer Φ8	4
5	BWMPRO800005	Wheel Axle Assembly	1
6	BWMPRO800006	Blade Drum & Chassis Assembly (including all blades & anvil)	1
7	BWMPRO800004	Bolt M8×25	2
	BWMPRO800004-2	Spring Washer Φ8	2
	BWMPRO800007	Large Washer	2
8	BWMPRO800008	Chute Hitch Pin	2
9	BWMPRO800009	Feeding Chute	1
10	BWMPRO800010	Rubber Flap	1
11	BWMPRO800011	Flap Washer	1
12	BWMPRO800012	Bolt M6×20	4
	BWMPRO800012-1	Nylon Locknut M6x20	4
	BWMPRO800012-2	Washer Φ6	4
13	BWMPRO800013	Inner Hex Flat Bolt M6×16	6
	BWMPRO800013-1	Nylon Locknut M6×16	6
	BWMPRO800013-2	Large Washer	6
14	BWMPRO800014	Hopper Tray	1

15	BWMPRO800015	Handle	2
16	BWMPRO800016	Inner Hex Flat Bolt M6×45	4
	BWMPRO800016-1	Nylon Locknut M6×45	4
	BWMPRO800016-2	Large Washer	4
17	BWMPRO800017	Emergency Stop Switch 3/4	1
18	BWMPRO800018	Emergency Stop Station	1
19	BWMPRO800019	Emergency Stop Button	1
20	BWMPRO800020	Bolt M6×12	2
	BWMPRO800020-1	Spring Washer Φ6	2
	BWMPRO800012-2	Washer Φ6	2
21	BWMPRO800021	Rivet 3x7	4
22	BWMPRO800022	Cable Cover	1
23	BWMPRO800023	Emergency Cable	1
24	BWMPRO800024	Lower Discharge Chute	1
25	BWMPRO800025	Upper Discharge Chute	1
26	BWMPRO800026	Knob M6×16	1
27	BWMPRO800027	Deflector	1
28	BWMPRO800028	Bolt M6×16	2
	BWMPRO800013-1	Nylon Locknut M6×16	2
	BWMPRO800012-2	Washer Φ6	2
29	BWMPRO800029	Knob M8×40	1

30	BWMPRO800030	Bolt M8×16	4
	BWMPRO800004-2	Spring Washer Φ8	4
	BWMPRO800004-3	Washer Φ8	4
31	BWMPRO800031	Pin 8-80	2
32	BWMPRO800032	Split Pin 2.5×16	2
33	BWMPRO800033	Tow Bar	1
34	BWMPRO800034	Bolt M10×70	2
	BWMPRO800034-1	Nylon Locknut M10×70	2
	BWMPRO800034-2	Washer Φ10	2
35	BWMPRO800035	Tow Bar Coupler	1
36	BWMPRO800036	Bolt M8×85	1
	BWMPRO800036-1	Nylon Locknut M8×85	1
	BWMPRO800004-3	Washer Φ8	1
37	BWMPRO800037	Supporting Stand	1
38	BWMPRO800038	Rubber Bumper	2
39	BWMPRO800039	Square Pin 8-85	1
40	BWMPRO800040	Tow Bar Bracket	1
41	BWMPRO800041	Bolt M8×20	4
	BWMPRO800004-2	Spring washer Φ8	4
	BWMPRO800004-3	Washer Φ8	4

## Section B.



Ref No.	Part No.	Description	Quantity
42	BWMPRO800042	Rotor Housing (only)	1
43	BWMPRO800043	Inner Hex Bolt M10×20	3
	BWMPRO800043-1	Spring Washer Φ10	3
	BWMPRO800034-2	Washer Φ10	3
44	BWMPRO800044	Anvil	1
45	BWMPRO800045	Bearing UCF206	2
46	BWMPRO800046	Bolt M10×25	8
	BWMPRO800043-1	Spring Washer Φ10	8

	BWMPRO800034-2	Washer $\Phi$ 10	8
47	BWMPRO800047	Bearing Cover	1
48	BWMPRO800048	Bearing Cover Holder	1
49	BWMPRO800049	Bolt M8 $\times$ 12	2
	BWMPRO800004-2	Spring Washer $\Phi$ 8	2
	BWMPRO800004-3	Washer $\Phi$ 8	2
50	BWMPRO800050	Serial Number Plate	1
51	BWMPRO800051	Rivet 4 $\times$ 14	2
52	BWMPRO800052	Bolt M8 $\times$ 35	4
	BWMPRO800004-2	Spring Washer $\Phi$ 8	4
	BWMPRO800004-3	Washer $\Phi$ 8	4
53	BWMPRO800053	Engine, Briggs & Stratton 6.5HP	1
	BWMPRO800053-1	Engine, Honda GX200	1
54	BWMPRO800054	Engine Shaft Bush	1
55	BWMPRO800055	Engine Pulley	1
56	BWMPRO800056	Engine Key	1
57	BWMPRO800057	Pulley Fix Plate	2
58	BWMPRO800058	Bolt M8 $\times$ 25	2
	BWMPRO800058-1	Spring Washer $\Phi$ 8	2
59	BWMPRO800059	Tension Adjustment Bolt M8 $\times$ 70	1
	BWMPRO800004-3	Washer $\Phi$ 8	1

60	BWMPRO800060	Blade Bolt	4
61	BWMPRO800061	Blade	2
62	BWMPRO800062	Blade Rotor	1
63	BWMPRO800063	Rotor Housing Cover	1
64	BWMPRO800064	Belt Cover Holder	1
65	BWMPRO800065	Belt Cover Holder 2	1
66	BWMPRO800066	Tension Pulley Bracket	1
67	BWMPRO800046	Bolt M10x25	2
	BWMPRO800043-1	Spring Washer $\Phi$ 10	2
	BWMPRO800034-2	Washer $\Phi$ 10	2
68	BWMPRO800068	Tension Pulley Rod	1
69	BWMPRO800069	Tension Pulley	1
70	BWMPRO800070	Bearing	2
71	BWMPRO800071	Circlip	1
72	BWMPRO800072	Belt Cover	1
73	BWMPRO800028	Bolt M6 $\times$ 16	3
	BWMPRO800020-1	Spring Washer $\Phi$ 6	3
	BWMPRO800012-2	Washer $\Phi$ 6	3
74	BWMPRO800074	Drum Key 10 $\times$ 8 $\times$ 30	1
75	BWMPRO800075	Drum Pulley	1
76	BWMPRO800076	V-Belt	1

77	BWMPRO800020	Bolt M6×12	3
	BWMPRO800020-1	Spring Washer Φ6	3
	BWMPRO800012-2	Washer Φ6	3
78	BWMPRO800041	Bolt M8×20	5
	BWMPRO800004-2	Spring Washer Φ8	5
	BWMPRO800004-3	Washer Φ8	5
79	BWMPRO800036	Bolt M8×25	1
	BWMPRO800004-2	Spring Washer Φ8	1
	BWMPRO800004-3	Washer Φ8	1

## Customer Service:

303 Warrigal Road, Cheltenham, Victoria 3192, Australia

Telephone: 1300 454 585

Website: [www.BWMachinery.com.au](http://www.BWMachinery.com.au)

Email: [admin@bwmachinery.com.au](mailto:admin@bwmachinery.com.au)

Spare parts are available from our dealers and our official website