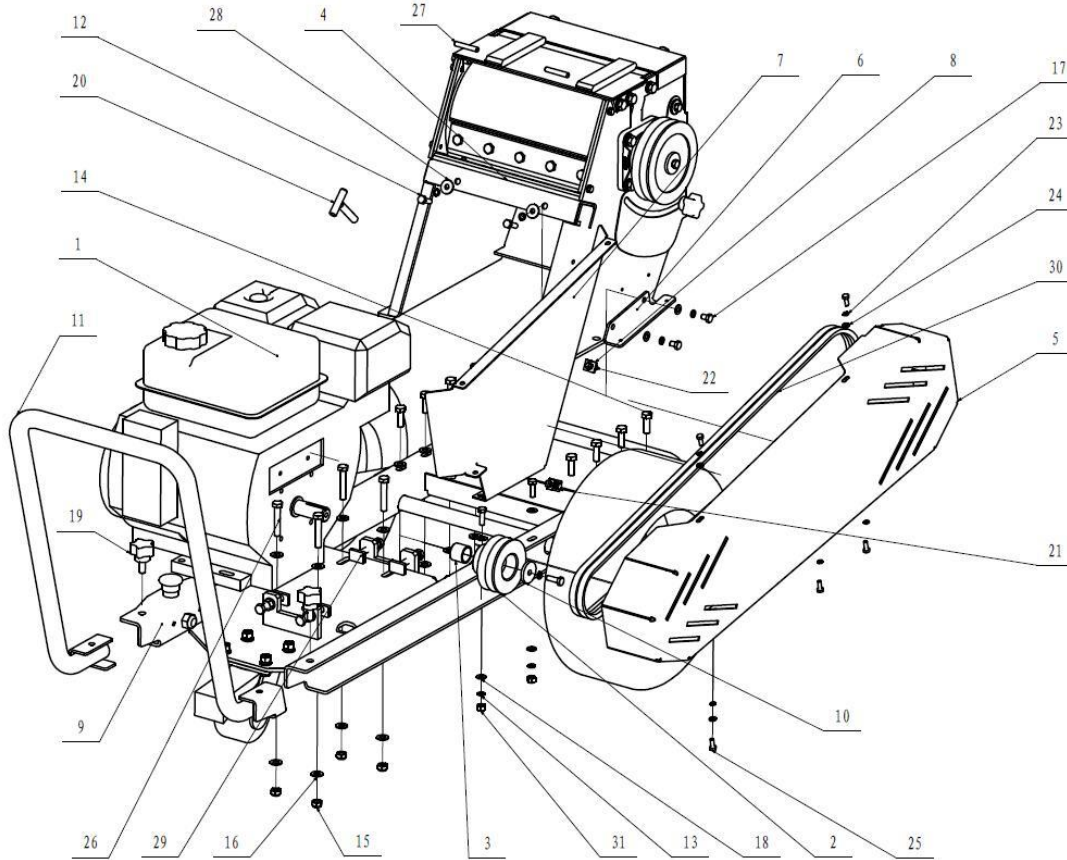


BWM PRO100 Series

Spare Parts Diagram

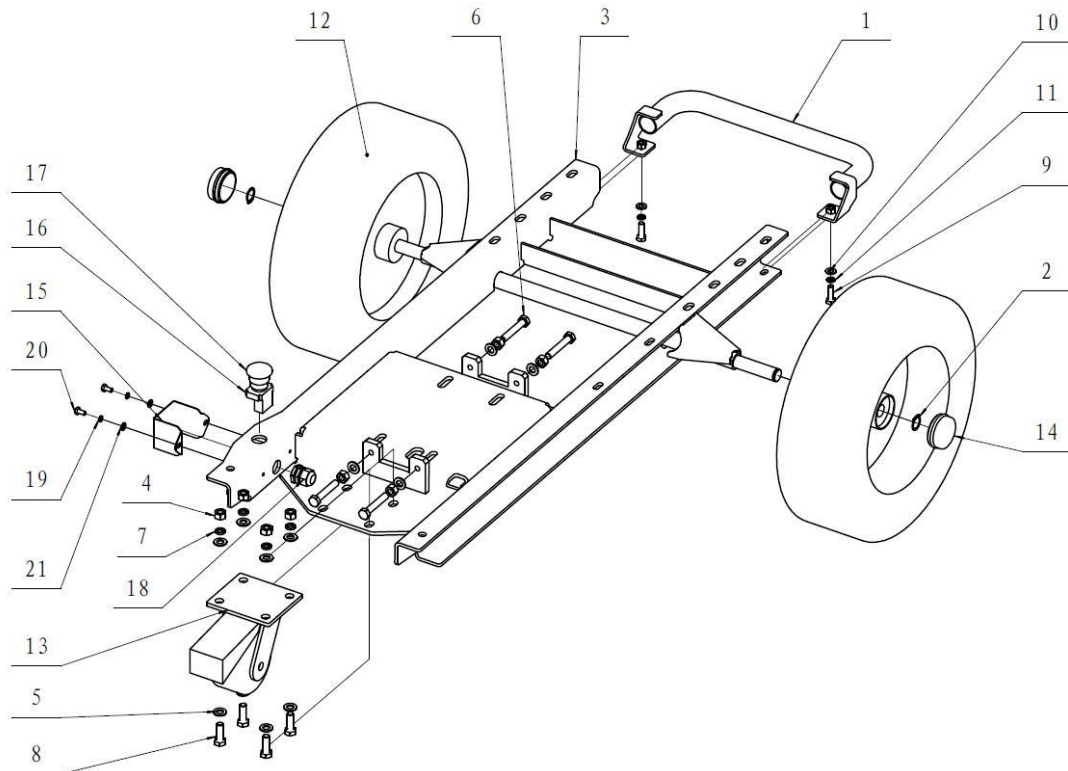


8. Spare Parts Diagram

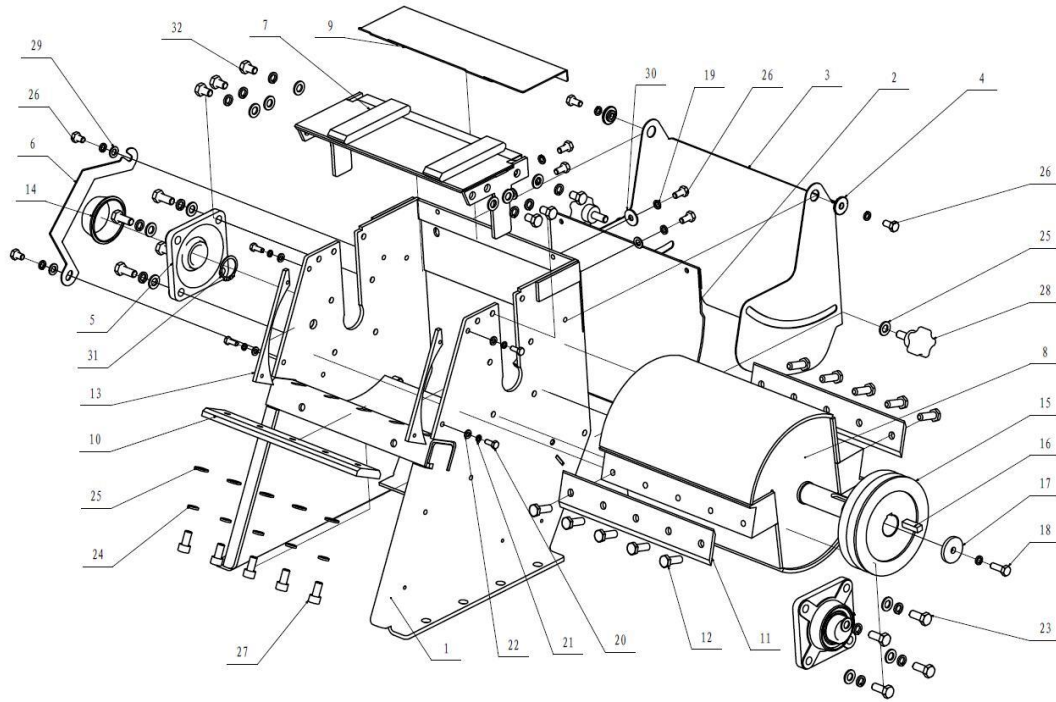


No	Name	Qty	No	Name	Qty
1	Engine	1	17	Bolt M8 x 16	2
2	Engine pulley	1	18	Washer M8	6
3	Engine shaft bush	1	19	Knob M10	2
4	Anvil	1	20	Rotor latch	1
5	Belt cover	1	21	Bolt M6 x 12	1
6	Belt cover holder	1	22	Nylon locknut M6	2
7	Belt cover support	1	23	Spring washer M6	6
8	Belt cover back holder	2	24	Washer 6	10
9	Frame	1	25	Bolt M6×16	7
10	Pulley washer	1	26	Bolt M10×55	4
11	Handle	1	27	Hinge pin	2
12	Bolt M8×25	5	28	Large washer M8	2

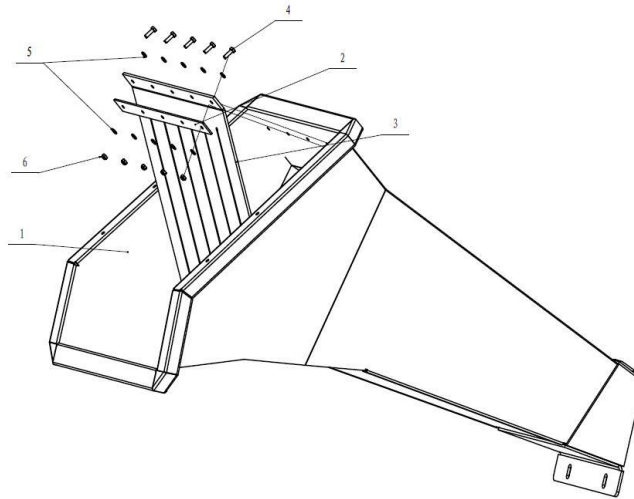
13	Spring washer M8	7	29	Cushion block	4
14	Bolt M10×30	8	30	V-Belt	2
15	Nylon locknut M10	12	31	Nut	2
16	Washer M10	24			



No	Name	Qty	No	Name	Qty
1	Bumper	1	12	Wheel	2
2	Circlip 20	2	13	Front wheel	1
3	Chassis	1	14	Wheel cover	2
4	Nut M10	8	15	Emergency switch cover	1
5	Washer M10	12	16	Emergency switch	1
6	Bolt M10×60	4	17	Knob	1
7	Spring washer M10	4	18	Connector	1
8	Bolt M10×30	4	19	Spring washer M6	2
9	Bolt M8×25	2	20	Bolt	2
10	Washer M8	2	21	Washer M6	2
11	Spring washer M8	2			



No.	Name	Qty	No.	Name	Qty
1	Rotor housing	1	17	Washer pulley	1
2	Low output cover	1	18	Bolt M8 x 25	1
3	Low output deflector	1	19	Washer M8	9
4	Washer deflector	2	20	Bolt M6 x 16	4
5	Bearing	2	21	Spring washer M6	4
6	Bearing cover holder	1	22	Washer M6	4
7	Rotor housing cover	1	23	Bolt M10 x 25	8
8	Rotor	1	24	Spring washer M10	19
9	High output cover	1	25	Washer 10	21
10	Anvil	1	26	Bolt M8 x 16	8
11	Blade	2	27	Inner hex bolt M10 x 20	5
12	Blade bolts	10	28	Knob M10	2
13	Rotor protector	2	29	Washer M8	4
14	Bearing cover	1	30	Large washer M8	2
15	Rotor pulley	1	31	Circlip M30	1
16	Key 10×8×30	1	32	Bolt M10×16	6



No	Name	Qty
1	Hopper	1
2	Washer rubber flap	1
3	Rubber flap	1
4	Bolt M6 x 20	5
5	Washer M6	10
6	Nut M6	5



No.	Name	Qty
1	Output	1
2	Bolt M6×16	2
3	Washer M6	4
4	Lock nut M6	2
5	Deflector	1
8	Knob M6	1

Customer Service:

303 Warrigal Road, Cheltenham, VIC 3192, Australia

Telephone: 1300 454 585

Email: kmowersorder@gmail.com

Website: WWW.BWMACHINERY.COM.AU

Spare parts are available from our dealers or our official website.