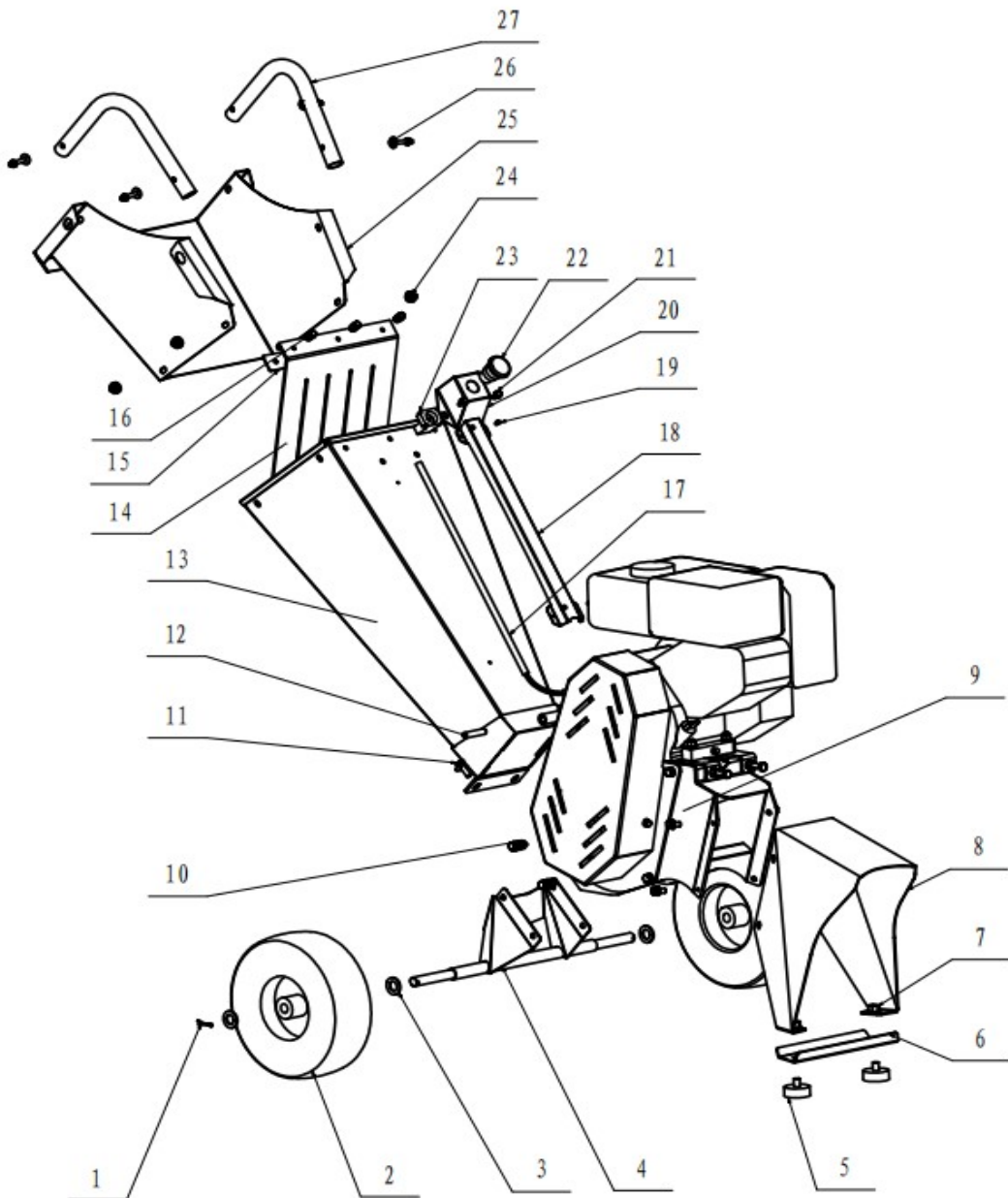


BWM CP20 Series Spare Parts Diagram

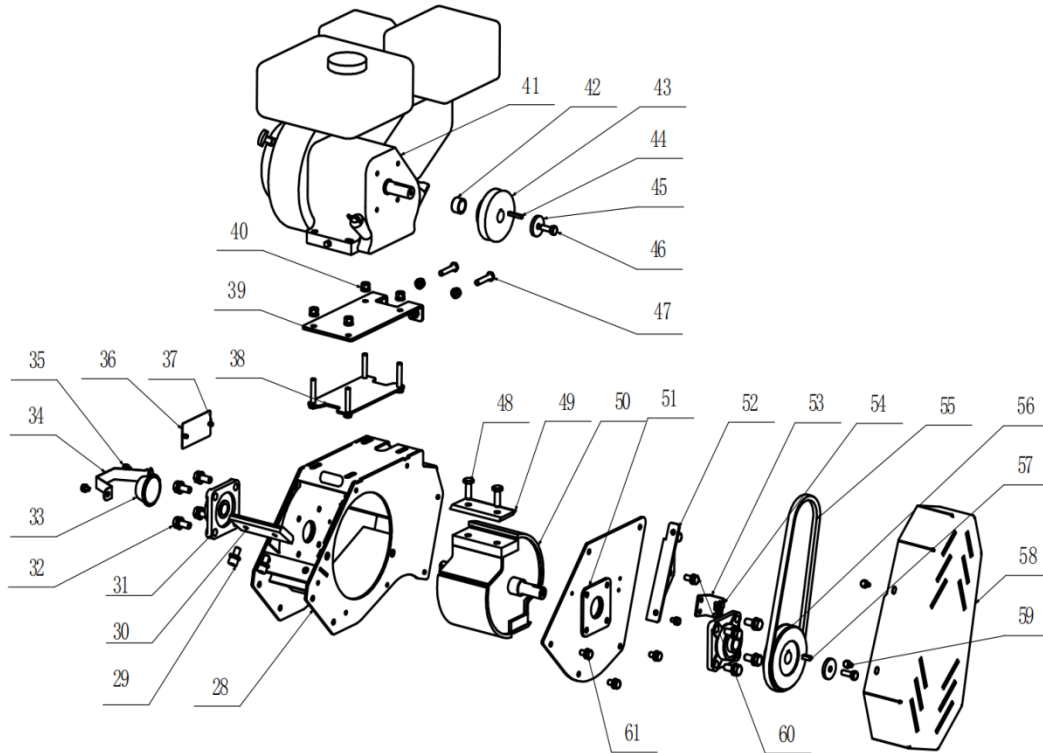
Section A.



Ref No.	Part No.	Description	Quantity
1	BWMCP200001	Split Pin 2.5×30	2
2	BWMCP200002	Wheel	2
3	BWMCP200003	Washer Φ16	4
4	BWMCP200004	Wheel Axle Assembly	1
5	BWMCP200005	Rubber Bumper	2
6	BWMCP200006	Connector Plate	1
7	BWMCP200007	Nut M10	2
8	BWMCP200008	Discharging Chute	1
9	BWMCP200009	Blade Drum & Chassis Assembly (including all blades & anvil)	1
10	BWMCP200010	Bolt M8x25	4
	BWMCP200010-1	Nut M8	4
	BWMCP200010-2	Spring Washer Φ8	4
	BWMCP200010-3	Washer Φ8	4
11	BWMCP200010	Bolt M8×25	2
	BWMCP200010-2	Spring Washer Φ8	2
	BWMCP200011	Large Washer	2
12	BWMCP200012	Chute Hitch Pin	1
13	BWMCP200013	Feeding Chute	1
14	BWMCP200014	Rubber Flap	1

15	BWMCP200015	Flap Washer	1
16	BWMCP200016	Nylon Locknut M6×16	3
	BWMCP200016-1	Bolt M6×16	3
	BWMCP200016-2	Washer Φ6	3
17	BWMCP200017	Emergency Cable	1
18	BWMCP200018	Cable Cover	1
19	BWMCP200019	Rivet 3×7	4
20	BWMCP200020	Emergency Stop Station	1
21	BWMCP200021	Bolt M6×12	2
	BWMCP200021-1	Spring Washer Φ6	2
	BWMCP200016-2	Washer Φ6	2
22	BWMCP200022	Emergency Stop Button	1
23	BWMCP200023	Emergency Stop Switch 3/4	1
24	BWMCP200024	Inner Hex Head Bolt M6×16	4
	BWMCP200016	Nylon Locknut M6×16	4
	BWMCP200021-1	Spring Washer Φ6	4
25	BWMCP200025	Hopper Tray	1
26	BWMCP200026	Inner Hex Head Bolt M6×40	4
	BWMCP200026-1	Nylon Locknut M6×40	4
	BWMCP200021-1	Spring Washer Φ6	4
27	BWMCP200027	Handle	2

Section B.



Ref No.	Part No.	Description	Quantity
28	BWMCP200028	Rotor Housing (only)	1
29	BWMCP200029	Inner Hex Head Bolt M10×20	2
	BWMCP200029-1	Spring Washer Φ10	2
	BWMCP200029-2	Washer Φ10	2
30	BWMCP200030	Anvil	1
31	BWMCP200031	Bearing UCF204	2

32	BWMCP200032	Bolt M10×25	8
	BWMCP200029-1	Spring Washer Φ10	8
	BWMCP200029-2	Washer Φ10	8
33	BWMCP200033	Bearing Cap	1
34	BWMCP200034	Bearing Cap Holder	1
35	BWMCP200035	Bolt M6×10	2
	BWMCP200021-1	Spring Washer Φ6	2
	BWMCP200016-2	Washer Φ6	2
36	BWMCP200036	Serial Number Plate	1
37	BWMCP200037	Rivet 4×14	2
38	BWMCP200038	Tension Plate Holder	1
39	BWMCP200039	Tension Plate	1
40	BWMCP200040	Hex Nut M8	4
	BWMCP200010-2	Spring Washer Φ8	4
	BWMCP200010-3	Washer Φ8	4
41	BWMCP200041	Engine, Briggs & Stratton 6.5HP	1
	BWMCP200041-1	Engine, Honda GX200	1
42	BWMCP200042	Engine Shaft Bush	1
43	BWMCP200043	Engine Pulley	1
44	BWMCP200044	Engine Key	1
45	BWMCP200045	Pulley Lock Washer	2

46	BWMCP200046	Bolt M8×25	2
	BWMCP200010-2	Spring Washer Φ8	2
	BWMCP200010-3	Washer Φ8	2
47	BWMCP200047	Bolt M8×40	2
	BWMCP200047-1	Nut M8×40	2
	BWMCP200010-2	Spring Washer Φ8	2
48	BWMCP200048	Blade Bolt	4
49	BWMCP200049	Blade	2
50	BWMCP200050	Blade Rotor	1
51	BWMCP200051	Rotor Housing Side Cover	1
52	BWMCP200052	Belt Cover Holder	1
53	BWMCP200053	Belt Cover Holder 2	1
54	BWMCP200054	Bolt M6×12	3
	BWMCP200021-1	Spring Washer Φ6	3
	BWMCP200016-2	Washer Φ6	3
55	BWMCP200055	V-Belt	1
56	BWMCP200056	Pulley Rotor	1
57	BWMCP200057	Key Rotor 6×6×16	1
58	BWMCP200058	Belt Cover	1
59	BWMCP200016-1	Bolt M6×16	3
	BWMCP200021-1	Spring Washer Φ6	3

	BWMCP200016-2	Washer $\Phi 6$	3
60	BWMCP200060	Bolt M8 \times 20	1
	BWMCP200010-2	Spring Washer $\Phi 8$	1
	BWMCP200010-3	Washer $\Phi 8$	1
61	BWMCP200061	Bolt M8 \times 16	4
	BWMCP200010-2	Spring Washer $\Phi 8$	4
	BWMCP200010-2	Washer $\Phi 8$	4

Section C.



Ref No.	Part No.	Description	Quantity
62	BWMCP200062	Catcher	1

Customer Service:

303 Warrigal Road, Cheltenham, Victoria 3192, Australia

Telephone: 1300 454 585

Website: www.BWMachinery.com.au

Email: admin@bwmachinery.com.au

Spare parts are available from our dealers and our official website