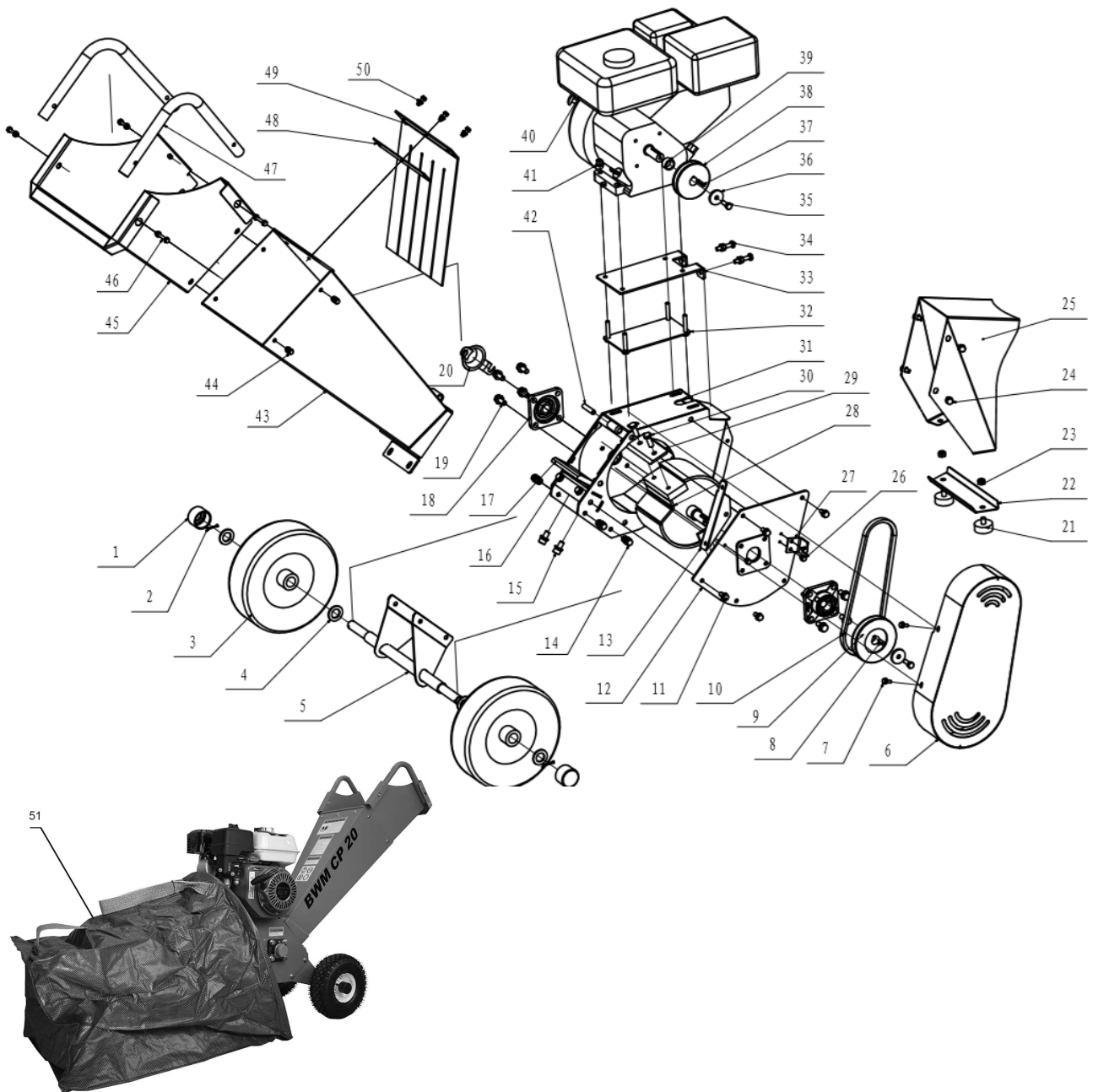


BWM CP20 Series Spare Parts Diagram



Spare Parts List

Ref. No.	Part No.	Description	Quantity
1	BWMCP20001	Wheel Cap	2
2	BWMCP20002	Pin 2.5×30	2
3	BWMCP20003	Wheel	2
4	BWMCP20004	Washer Φ20	4
5	BWMCP20005	Wheel Axle Assembly	1
6	BWMCP20006	Belt Cover	1
7	BWMCP20007	Bolt M6×16	3
	BWMCP20007-1	Spring Washer Φ6	3
8	BWMCP20008	Key Rotor 6×6×16	1
9	BWMCP20009	Pulley Rotor	1
10	BWMCP20010	V-Belt	1
11	BWMCP20011	Bolt M8×20	5
	BWMCP20011-1	Spring Washer Φ8	5
12	BWMCP20012	Cover Rotor Housing	1
13	BWMCP20013	Holder Belt Cover	1
14	BWMCP20014	Bolt M8×25	4
	BWMCP20014-1	Nut M8	4
	BWMCP20014-2	Spring Washer Φ8	4
15	BWMCP20015	Inner Hex Head Bolt M10×20	2
	BWMCP20015-1	Spring Washer Φ10	2
16	BWMCP20016	Bolt M8×25	2
	BWMCP20016-1	Spring Washer Φ8	2
17	BWMCP20017	Anvil	1
18	BWMCP20018	Bearing UCF204	2
19	BWMCP20019	Bolt M10×25	8
	BWMCP20019-1	Spring Washer Φ10	8
20	BWMCP20020	Bearing Cap	1
21	BWMCP20021	Rubber Bumper	2

22	BWMCP20022	Connector Plate	1
23	BWMCP20023	Nylon Locknut M10	2
24	BWMCP20024	Bolt M8×16	4
	BWMCP20024-1	Spring Washer Φ8	4
25	BWMCP20025	Discharging Chute	1
26	BWMCP20026	Bolt M6×12	3
	BWMCP20026-1	Spring Washer Φ6	3
27	BWMCP20027	L Holder Belt Cover	1
28	BWMCP20028	Rotor	1
29	BWMCP20029	Blade	2
30	BWMCP20030	Blade Bolt	4
31	BWMCP20031	Rotor Housing	1
32	BWMCP20032	Engine Fixing Plate	1
33	BWMCP20033	Tension Plate	1
34	BWMCP20034	Bolt M8×40	2
	BWMCP20034-1	Nut M8	2
	BWMCP20034-2	Spring Washer Φ8	2
35	BWMCP20035	Bolt M8×25	2
	BWMCP20035-1	Spring Washer Φ8	2
36	BWMCP20036	Pulley Lock Washer	2
37	BWMCP20037	Engine Key	1
38	BWMCP20038	Engine Pulley	1
39	BWMCP20039	Engine Bush Shaft	1
40	BWMCP20040 (model CP20)	Engine, Briggs & Stratton 6.5HP	1
	BWMCP20040-H (model CP20H)	Engine, Honda GX200	1
41	BWMCP20041	Nut M8	4
	BWMCP20041-1	Spring Washer Φ8	4
42	BWMCP20042	Chute Hitch Pin	1
43	BWMCP20043	Feeding Chute	1
44	BWMCP20044	Bolt M6×16	4

	BWMCP20044-1	Locknut M6	4
	BWMCP20044-2	Spring Washer Φ 6	4
45	BWMCP20045	Hopper tray	1
46	BWMCP20046	Bolt M6 \times 40	4
	BWMCP20046-1	Locknut M6	4
	BWMCP20046-2	Spring Washer Φ 6	4
47	BWMCP20047	Handle	2
48	BWMCP20048	Flap Strip	1
49	BWMCP20049	Flap	1
50	BWMCP20050	Bolt M6 \times 20	3
	BWMCP20050-1	Locknut M6	3
	BWMCP20050-2	Spring Washer Φ 6	3
51	BWMCP20051	Collection Bag	1

Customer Service:

303 Warrigal Road, Cheltenham, Victoria 3192, Australia

Telephone: 1300 454 585

Website: www.BWMachinery.com.au

Email: admin@bwmachinery.com.au

Spare parts are available from our dealers and our official website